

4

3

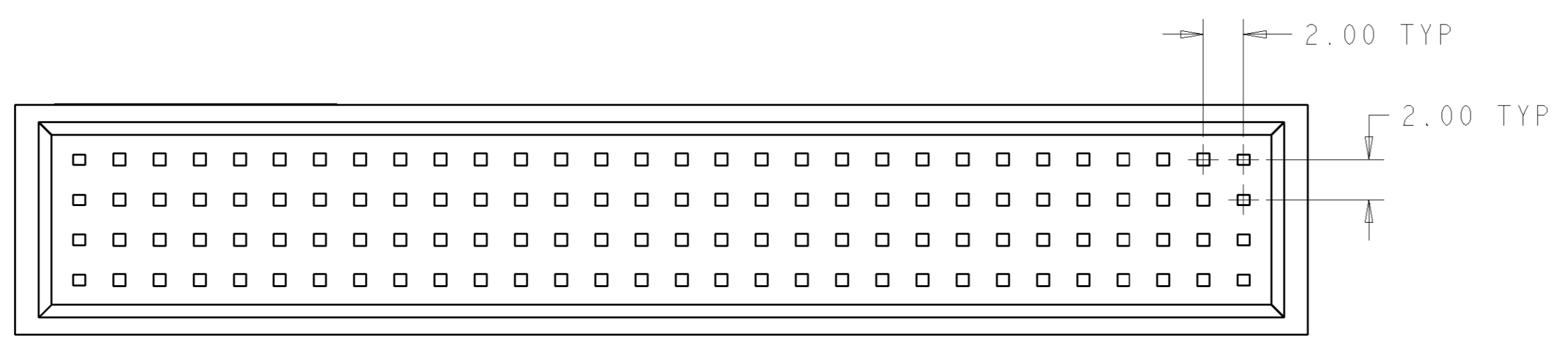
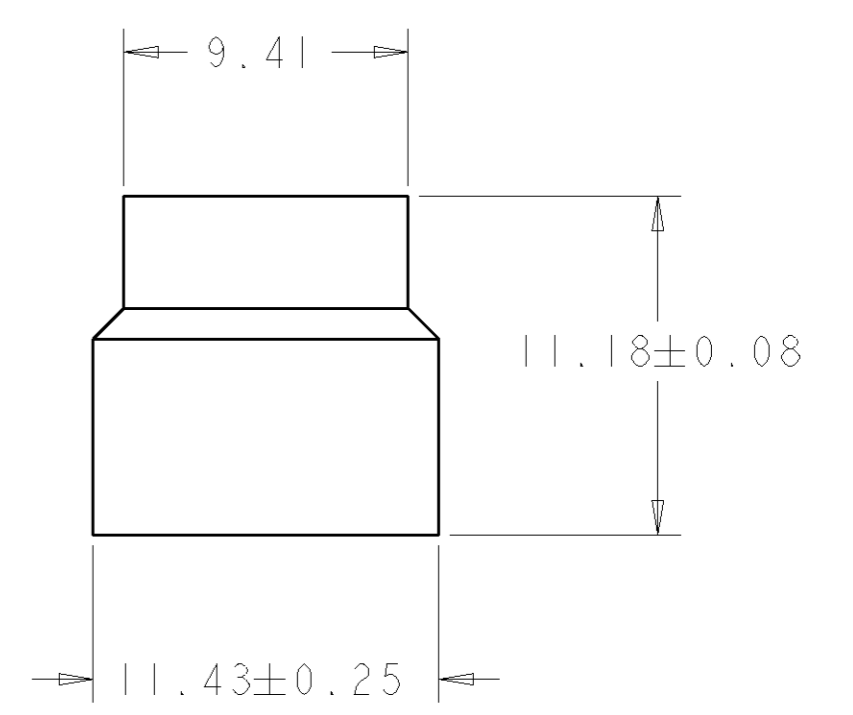
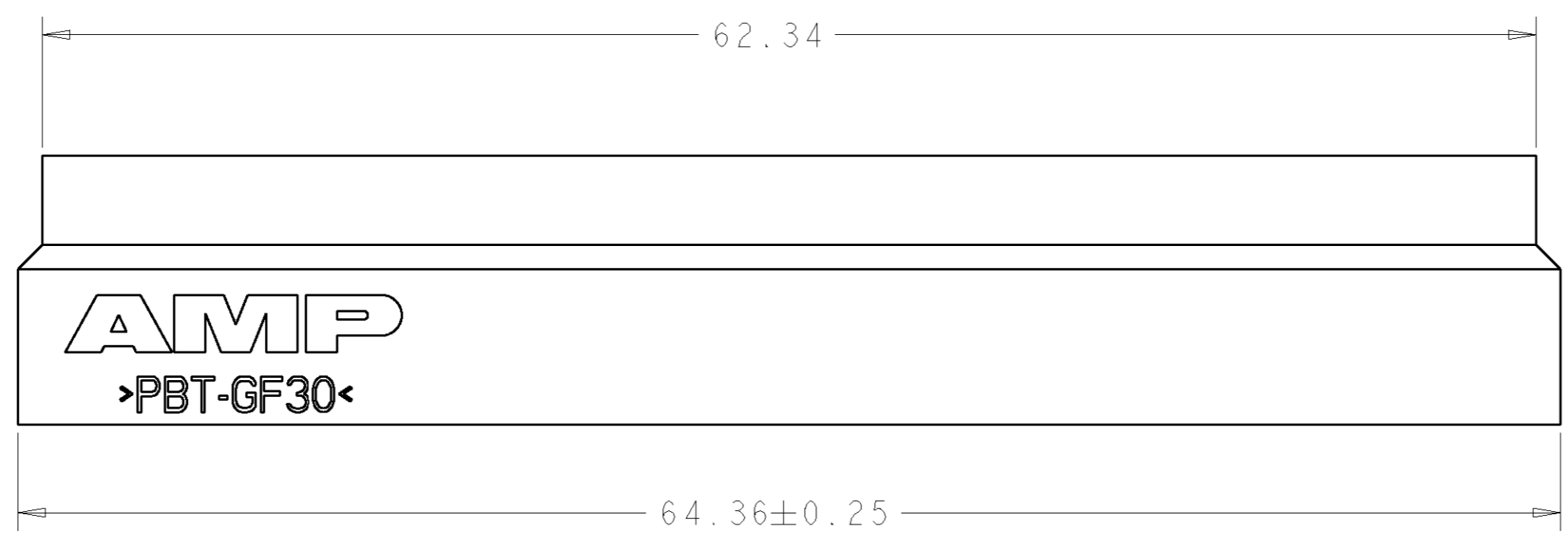
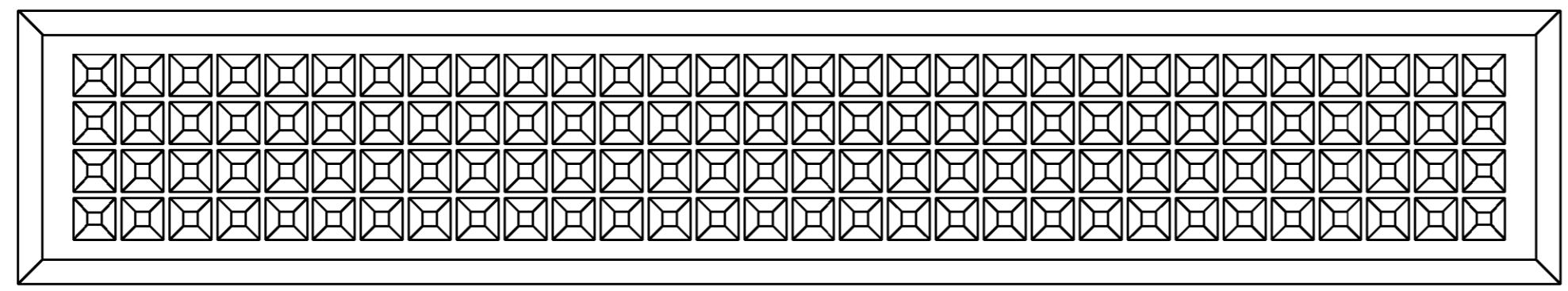
2

1

THIS DRAWING IS UNPUBLISHED. RELEASED FOR PUBLICATION 20  
 © COPYRIGHT 20 BY TYCO ELECTRONICS CORPORATION. ALL RIGHTS RESERVED.

LOC	DIST	REVISIONS					
		P	LTR	DESCRIPTION	DATE	DWN	APVD
AD	00		1	CREATE DRAWING	-	WGL	LB
			0	REV PER EC 0G3C-0183-01	13JUN2001	MB	JO

⚠ MATERIAL: PBT POLYESTER, UL94V0, COLOR, BLACK.



1375801-1  
PART NO

THIS DRAWING IS A CONTROLLED DOCUMENT FOR TYCO ELECTRONICS CORPORATION IT IS SUBJECT TO CHANGE AND THE CONTROLLING ENGINEERING ORGANIZATION SHOULD BE CONTACTED FOR THE LATEST REVISION.		DWN W.G. LENKER 27SEP2000	Tyco Electronics Harrisburg, PA 17105-3608	
DIMENSIONS: mm		CHK J. OLSON 13JUN2001	NAME -	
TOLERANCES UNLESS OTHERWISE SPECIFIED: 0 PLC ± 1 PLC ± 2 PLC ±0.13 3 PLC ± 4 PLC ± ANGLES ± FINISH -		APVD J. OLSON 13JUN2001	PRODUCT SPEC -	
MATERIAL -	⚠	APPLICATION SPEC -	SHROUD, 120 POSITION, PCI04 PLUS	
		WEIGHT -	SIZE A2	RESTRICTED TO -
		CUSTOMER DRAWING	CAGE CODE 00779	DRAWING NO 1375801
		SCALE 4:1	SHEET 1	REV 0